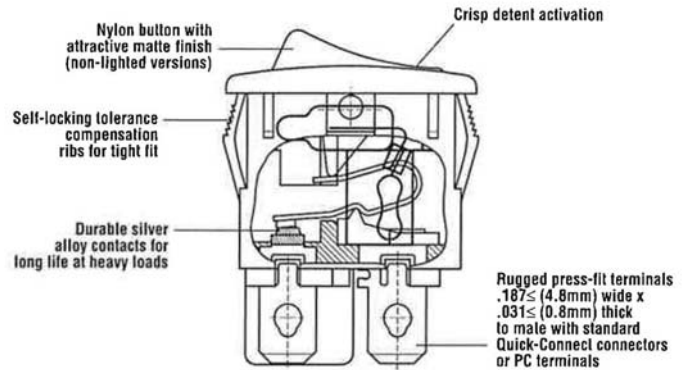


# Double-Pole Rocker Switch LR Series



## Features

- Single-throw and double-throw options
- Lighted and non-lighted options
- Industry standard mounting dimensions
- Mechanical life: min. 100,000 operations

Electrical Ratings				
Switch Series	EN61058 Rating	UL1054 Rating	Electrical Life at Rated Load	
			According to VDE (Min. Operations)	According to UL (Min. Operations)
LR	10(4)A, 250V~T125/55	10A 125VAC, 8A 250VAC; 1/4HP	10,000	6,000

Electrical Specifications		Material Specifications	
<b>Ratings:</b>	10A 125VAC; 8A 250VAC 1/4HP (UL) 12A 125VAC; 10A 250VAC; 1/4HP CSA) 10(4)A, 250V~ T125/55 (VDE)	<b>Actuator: (non-lighted) (lighted)</b>	Nylon 66 94V-2 Polycarbonate
<b>Dielectric Strength:</b>	1000VAC for 1 minute	<b>Base:</b>	Nylon 66 94V-2
<b>Insulation Resistance:</b>	100M ohms min at 500VDC	<b>Spring:</b>	Steel Wire
<b>Initial Contact Resistance:</b>	0.020 ohms max	<b>Contacts:</b>	Silver Alloy
<b>Temperature Range:</b>	-20°C to + 65°C	<b>Movable Arm:</b>	Copper Alloy
		<b>Terminals:</b>	Tin-Plated Copper Alloy

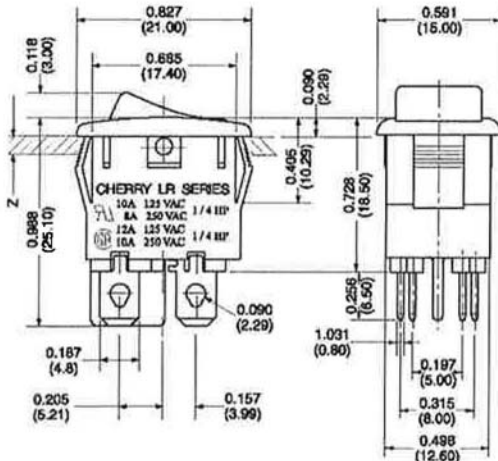
RoHS Compliant  
UL File No: E23301



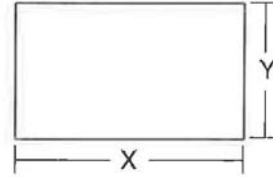
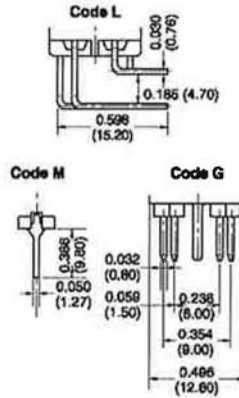
Specifications subject to change without notice.

# Double-Pole Rocker Switch LR Series

## Dimensions (inches)



### Terminals



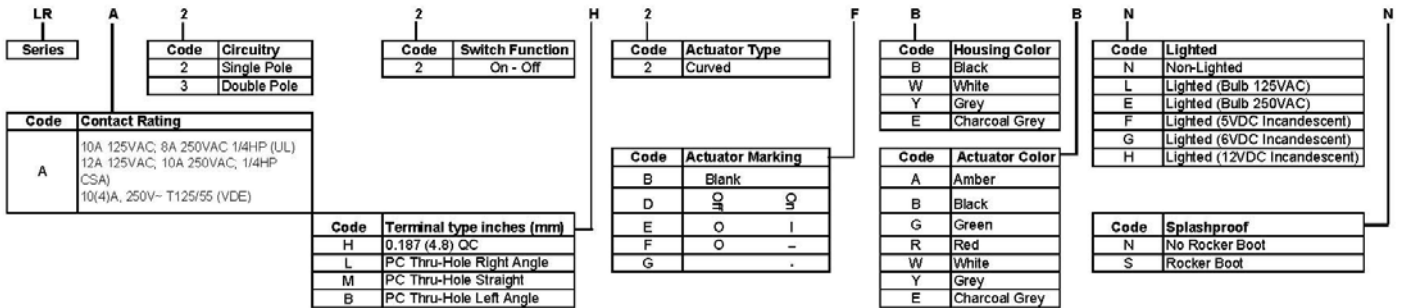
Z = Panel Thickness

### Recommended Panel Cut-Out Dimensions

inches (mm)

Dim. Z	Dim. X	Dim. Y
0.030 to 0.049 (0.75 to 1.25)	0.752 (19.10)	0.508 (12.90)
0.049 to 0.079 (1.25 to 2.00)	0.760 (19.30)	0.508 (12.90)
0.079 to 0.118 (2.00 to 3.00)	0.775 (19.69)	0.508 (12.90)

## Ordering Information



## Examples of Common Part Numbers and Descriptions inches (mm)

Part Number	Circuitry	Switch Function	Terminal Type	Actuator/ Housing Color	Legend Marking
LRA22H2FBBNN		On - Off	0.187 (4.8) Quick-Connect	Black/Black	
LRA32H2FBBNN		On - Off	0.187 (4.8) Quick-Connect	Black/Black	
LRA22H2BBBNN		On - Off	0.187 (4.8) Quick-Connect	Black/Black	
LRA32H2BBBNN		On - Off	0.187 (4.8) Quick-Connect	Black/Black	
LRA22H2BBRLN		On - Off/Lighted	0.187 (4.8) Quick-Connect	Red/Black	
LRA32H2BBRLN		On - Off/Lighted	0.187 (4.8) Quick-Connect	Red/Black	

Boot #0015-0644

## Contact

Call, fax or visit our Website for more information.

**ZF Electronics Corporation**  
11200 88th Avenue  
Pleasant Prairie, WI 53158

Phone: 262.942.6500  
Web: [www.cherrycorp.com](http://www.cherrycorp.com)  
Email: [cep\\_sales@zf.com](mailto:cep_sales@zf.com)  
Fax: 262.942.6566

The manufacturer accepts no liability for errors or non-availability, and reserves the right to change specifications without prior notice.

Technical data relates to product specifications only. Features may differ from those described. Only drawings combined with product specifications shall be deemed binding.

© 2007 ZF Electronics Corporation

Last Updated: 09/13/11

